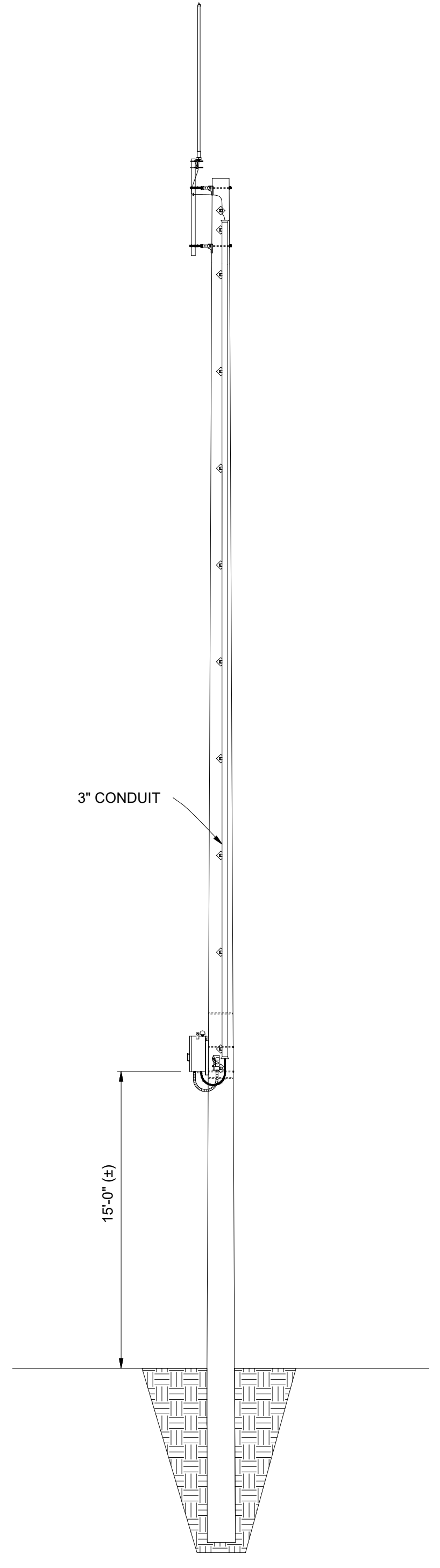
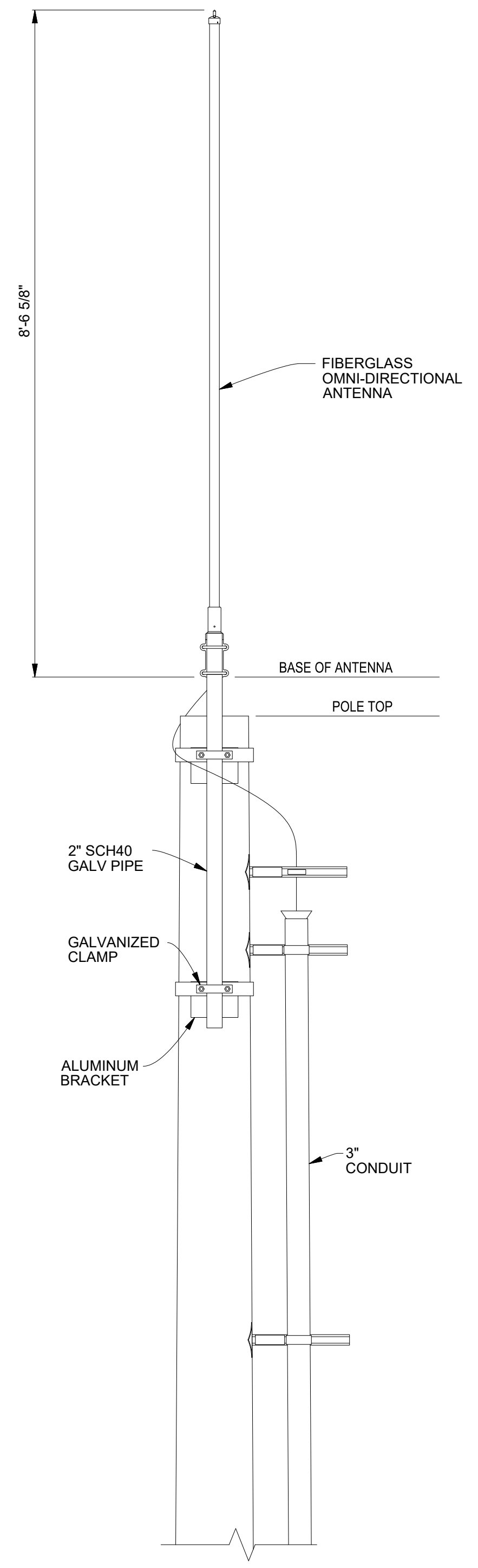


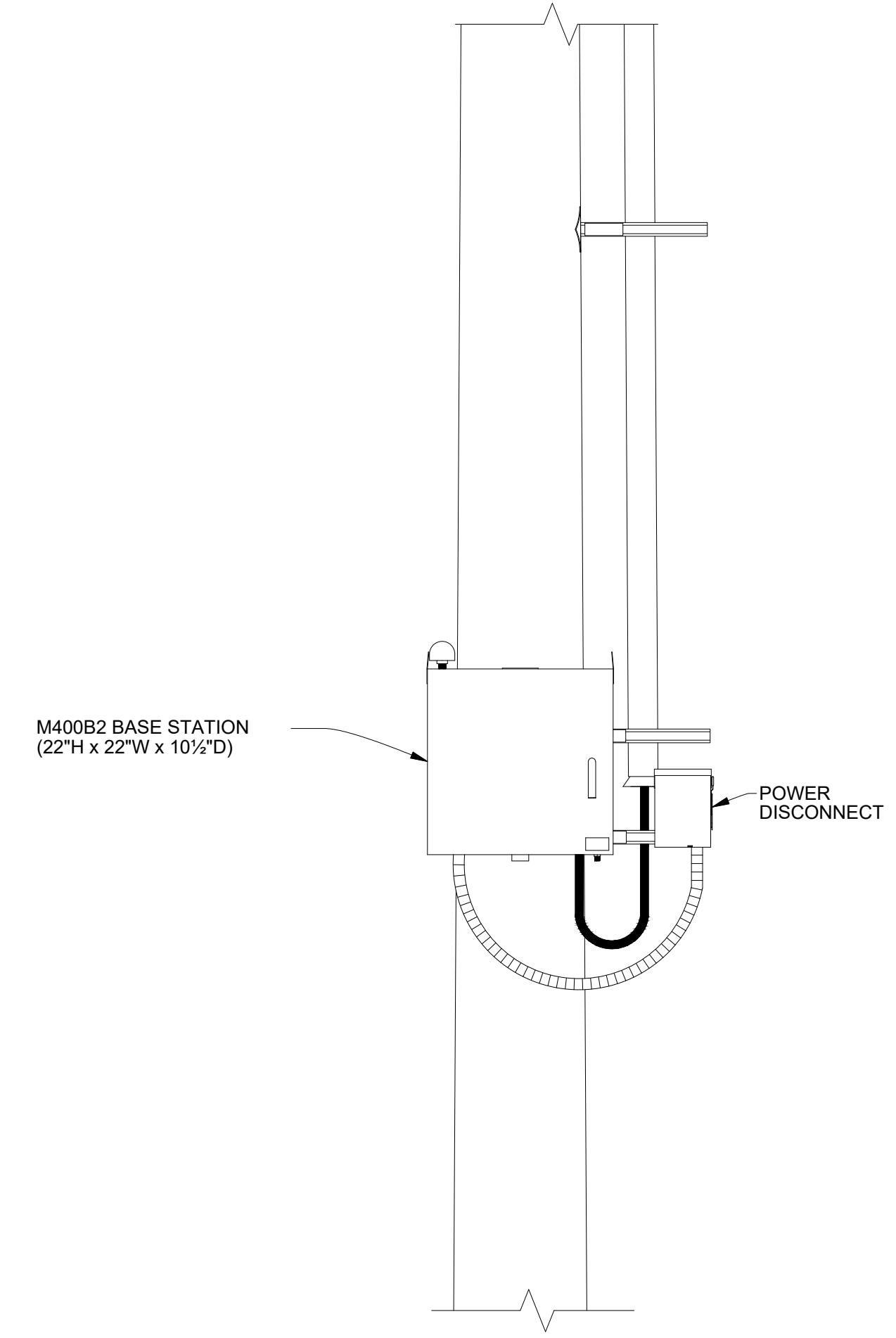
**PROPOSED CONDITIONS DETAIL** 3  
3/16" = 1'-0"



**TYPICAL ELEVATION** A  
3/16" = 1'-0"



**TYPICAL POLE TOP DETAIL** 1  
3/4" = 1'-0"



**TYPICAL M400B2 BASE STATION DETAIL** 2  
3/4" = 1'-0"

12 0 1 2 3  
3/4" = 1'-0" SCALE IN FEET

NO.	DATE	BY	DESCRIPTION	ENGR.	CHKR.	APVD.	NO.	DATE	BY	DESCRIPTION	ENGR.	CHKR.	APVD.
<b>SNOHOMISH COUNTY</b> <b>PUD</b> PUBLIC UTILITY DISTRICT NO 1 ORDER 100086300 OPERATION SCALE NOTED DFTR CHWO CHKR ENGR APVD DATE PERRINVILLE SUBSTATION AMI SITE #40 ELEVATION DETAILS													
REV	DRAWING												
0	P0040-2												