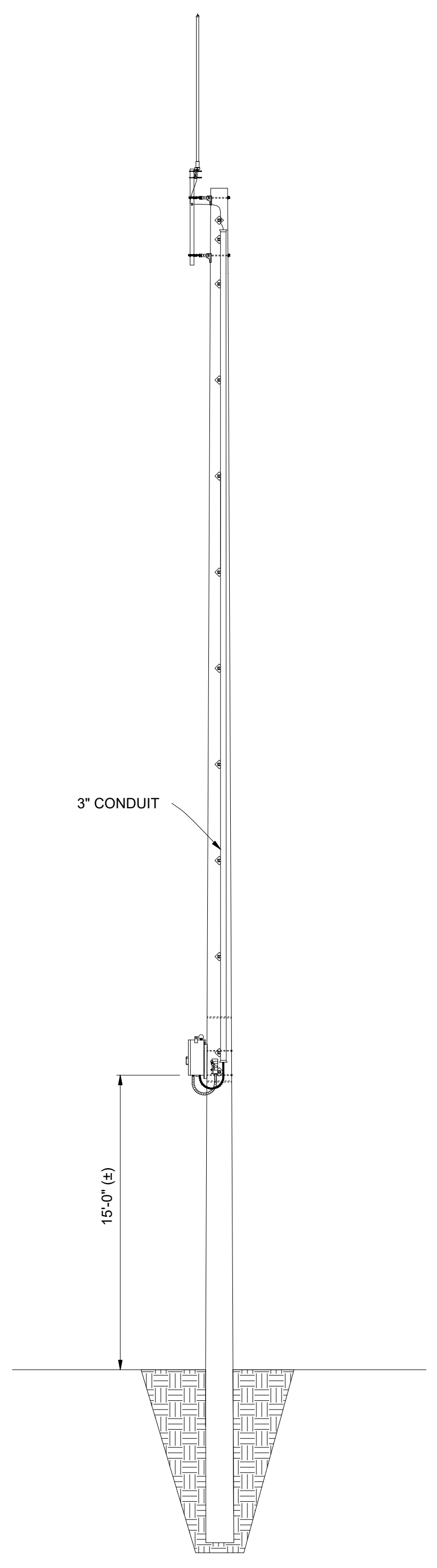
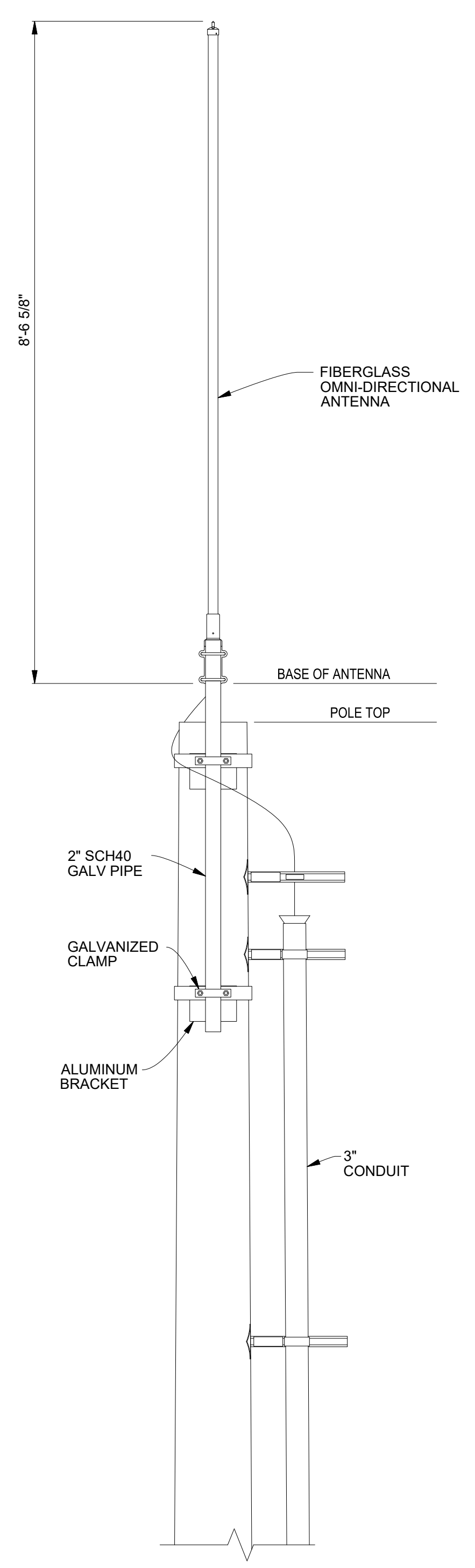


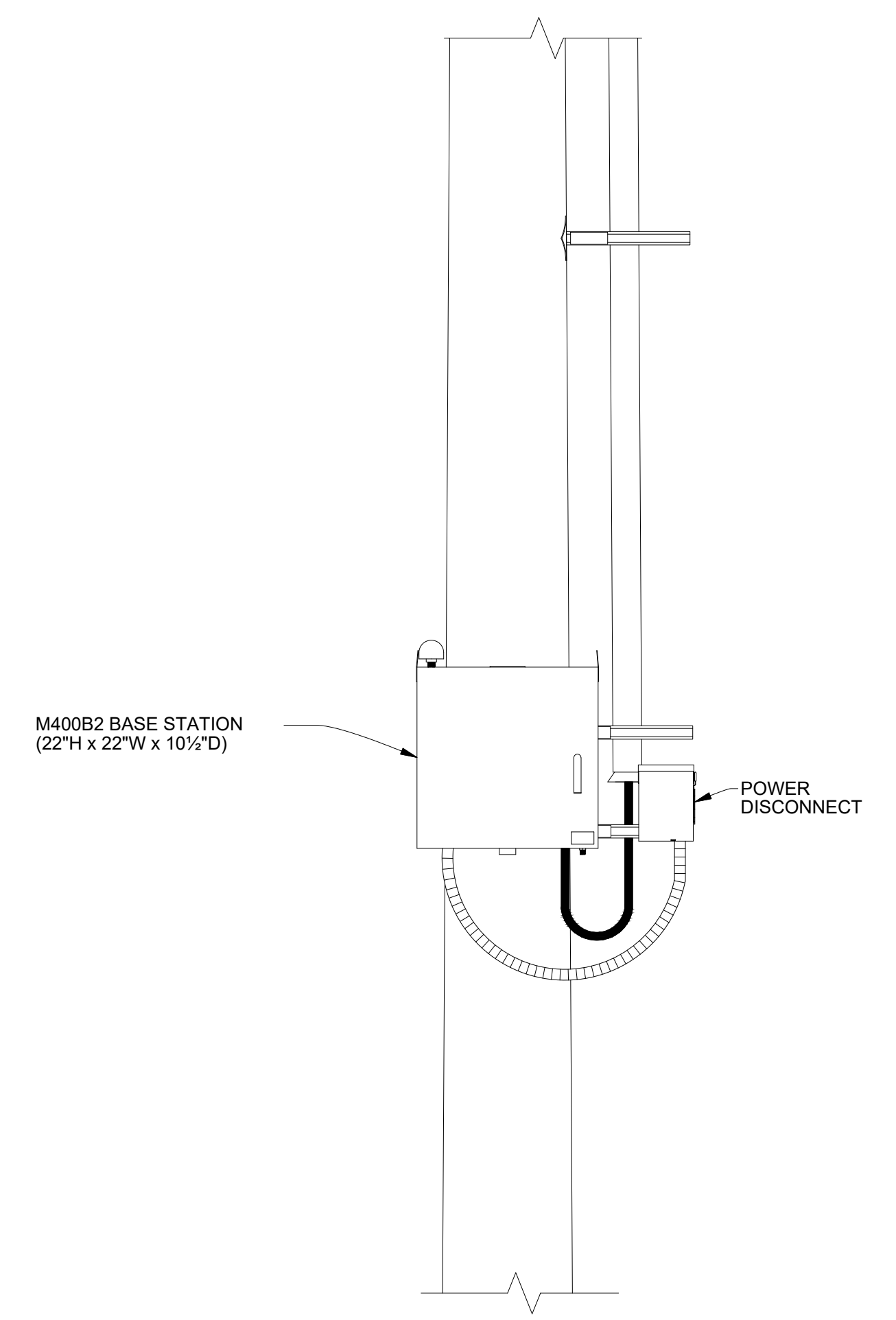
PROPOSED CONDITIONS DETAIL 3
3/16" = 1'-0"



TYPICAL ELEVATION A
3/16" = 1'-0"



TYPICAL POLE TOP DETAIL 1
3/4" = 1'-0"



TYPICAL M400B2 BASE STATION DETAIL 2
3/4" = 1'-0"

12 0 1 2 3
1/4" = 1'-0" SCALE IN FEET

SNOHOMISH COUNTY	
PUD	
PUBLIC UTILITY DISTRICT NO 1	
ORDER	100086300
OPERATION	
SCALE	NOTED
DFTR	CHWO
CHKR	
ENGR	
APVD	
DATE	
PERRINVILLE SUBSTATION AMI SITE #40 ELEVATION DETAILS	
REV	DRAWING
0	P0040-2