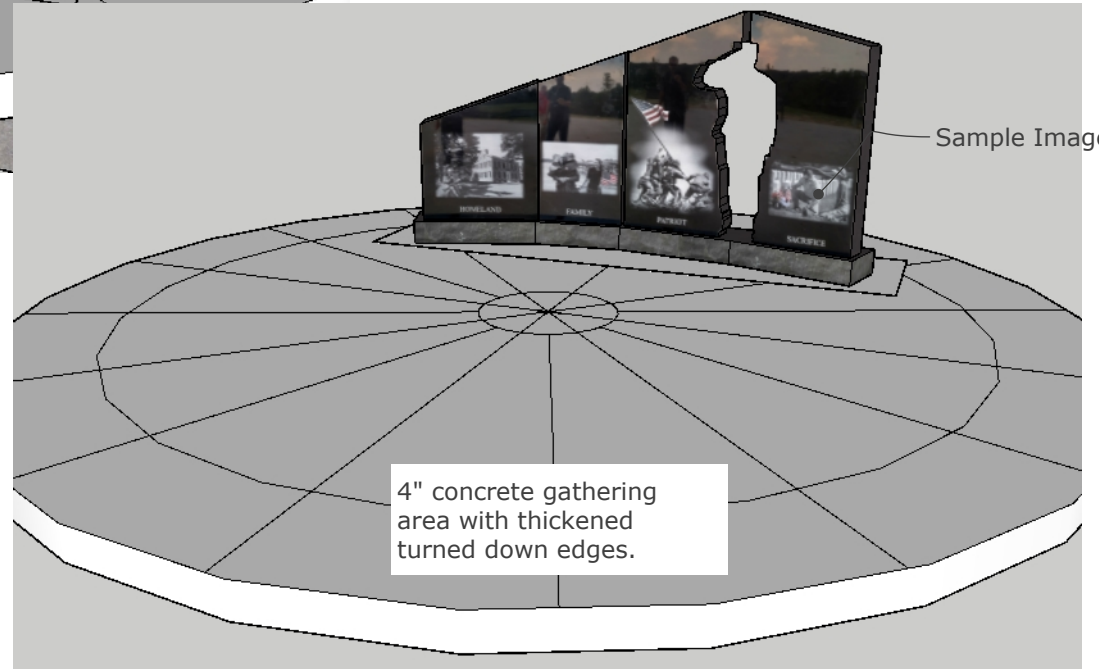
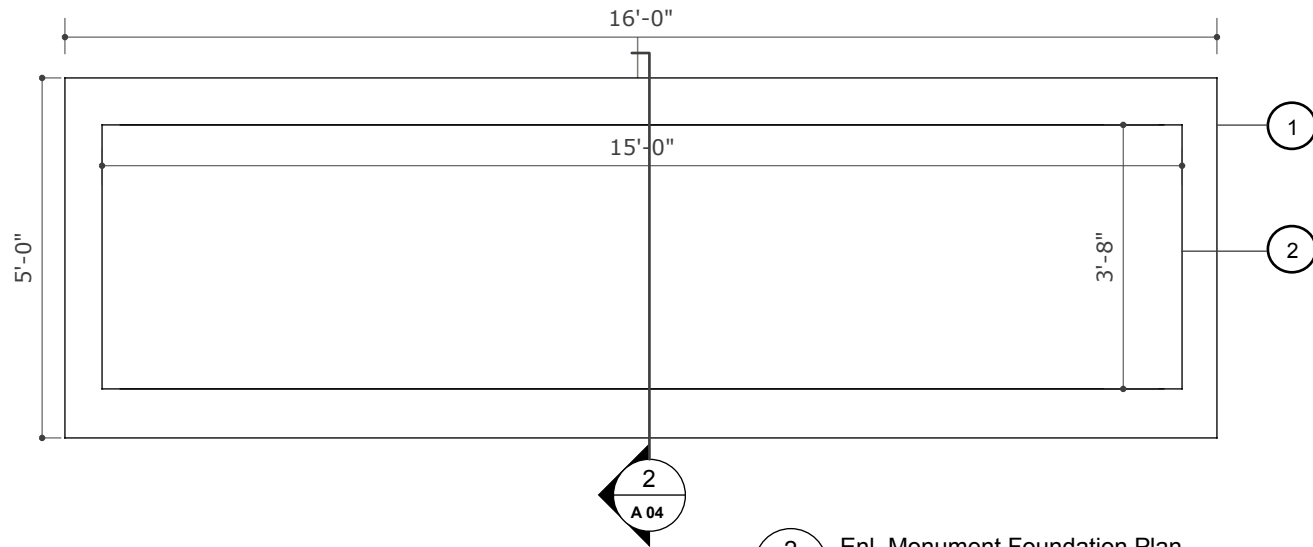




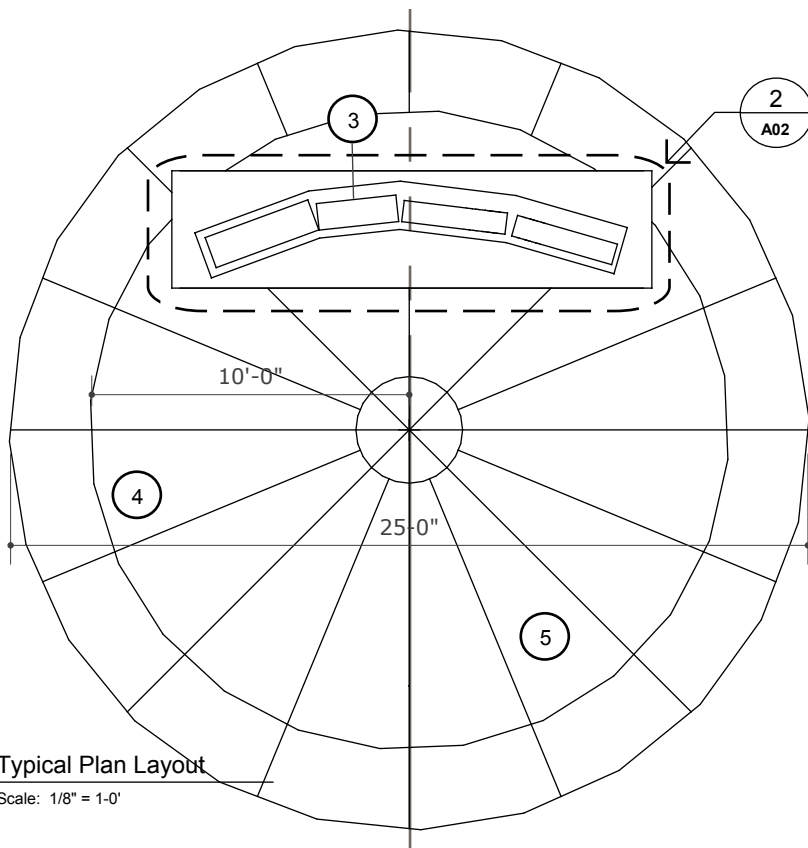
1 Isometric of Monument
A01 Scale: NTS



2 Isometric of Monument
A01 Scale: NTS



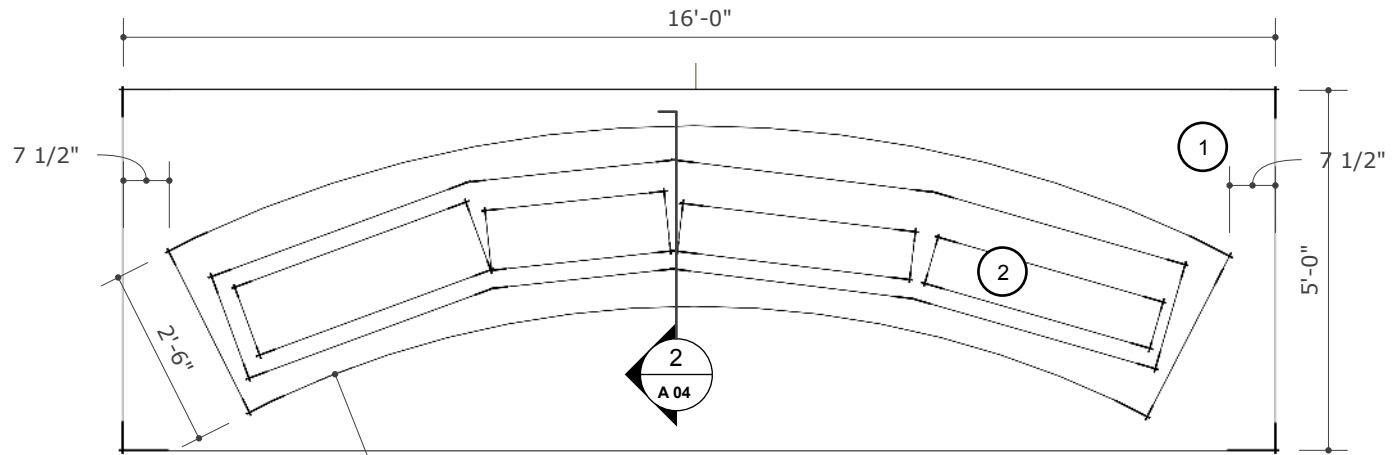
2 Enl. Monument Foundation Plan
A02 Scale: 3/8" = 1'-0"



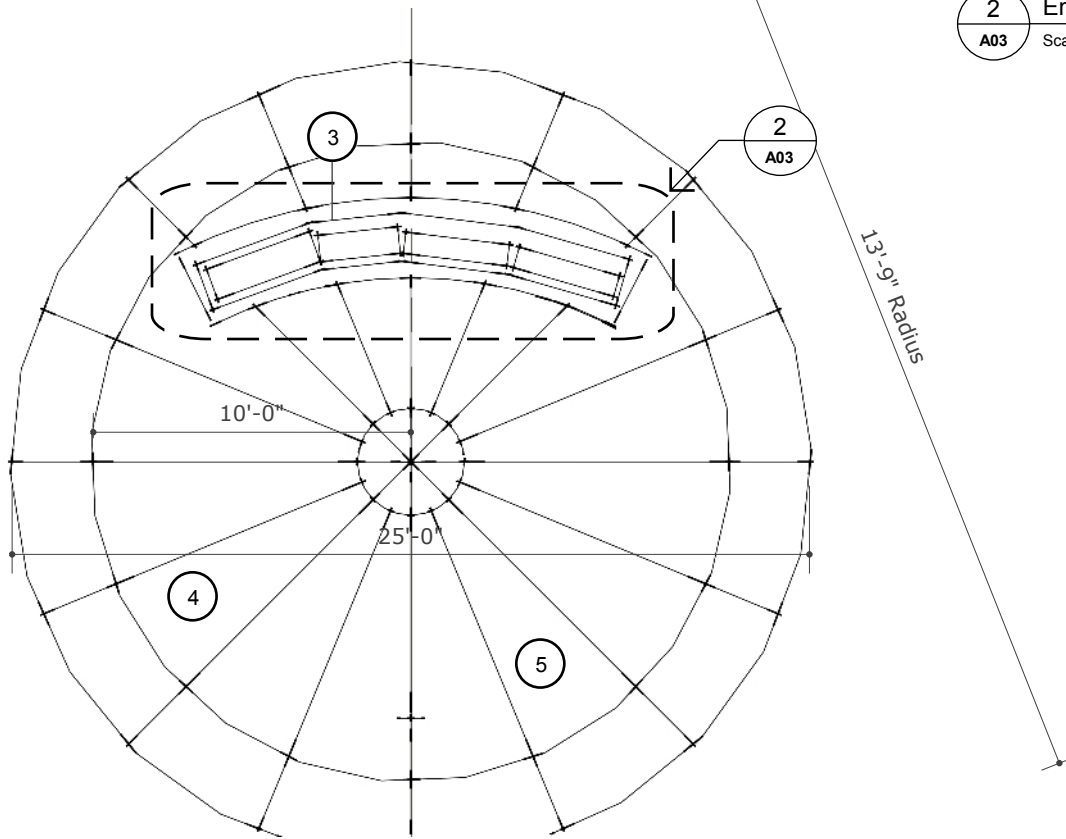
1 Typical Plan Layout
A02 Scale: 1/8" = 1'-0"

Numbered Notes:

1. 12" Thick footing, 4000# concrete. #4 bars @ 10" oc long direction, #4 bars at 16" oc short direction. #4 bent bars @ 32" oc.
2. 18" tall stem wall - 3'-8" wide. 2 rows of #4 bar long direction. 1 row #4 bars @ 16" oc in short direction. Top of radius stem wall must be completely flat to allow monuments to sit plumb.
3. Monument base to be placed by others. See Sheet 3.
4. 4" Concrete slab with light broom finish, tool joints as shown. Slope to drain. 4" min. stone base.
5. Arrangement of concrete gathering area may vary from site to site. Confirm configuration with owner. Provide similar concrete access to available sidewalk.



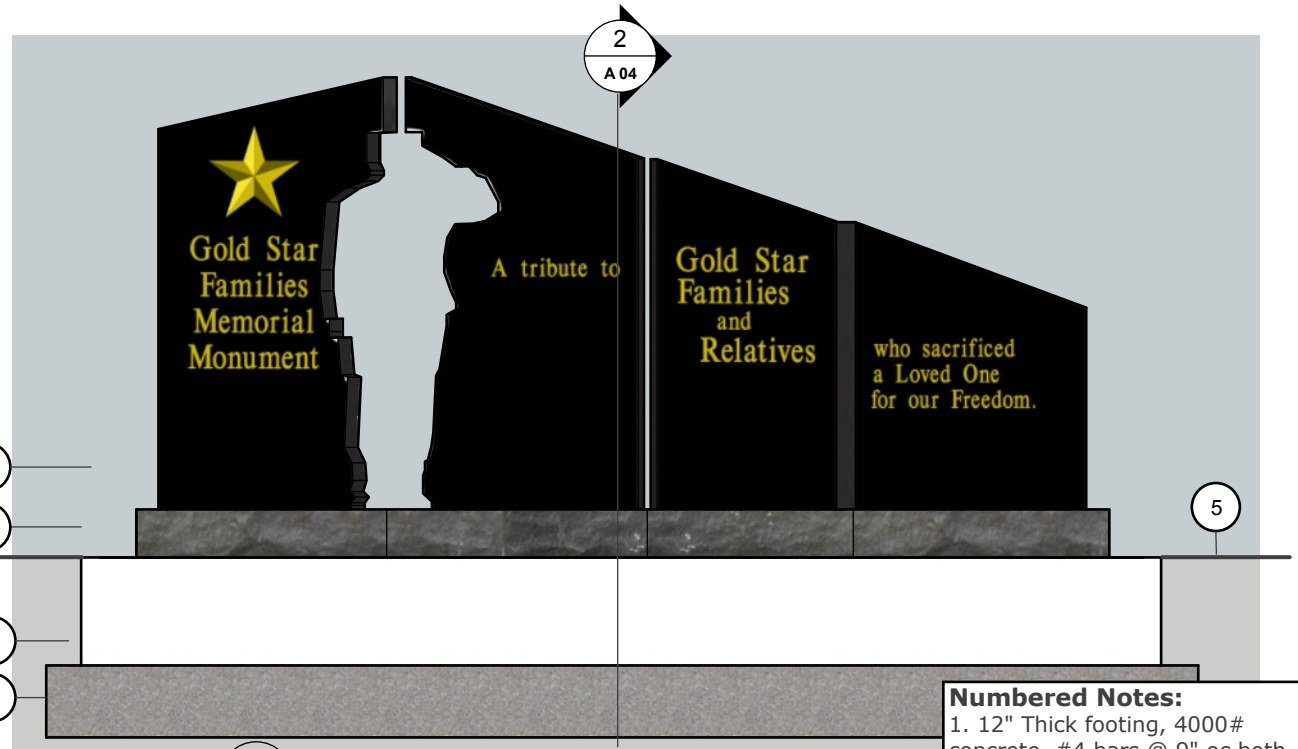
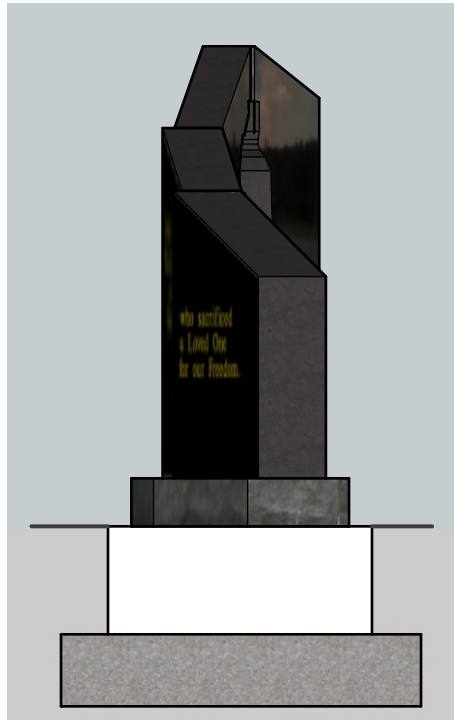
2 Enl. Monument Foundation Plan (Radius Option)
 A03 Scale: 3/8" = 1'-0"



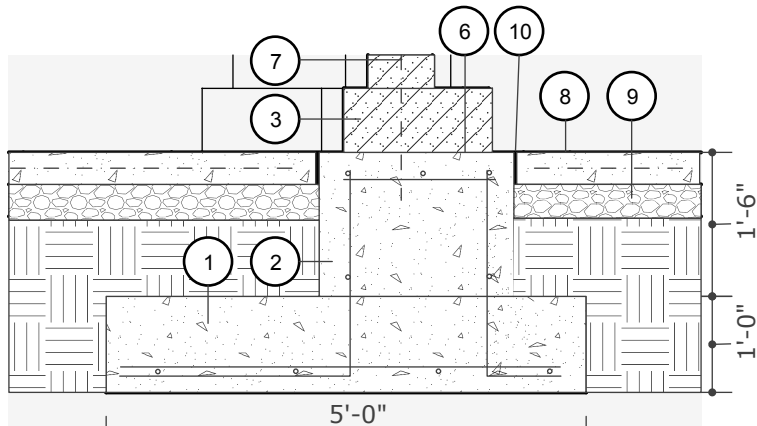
1 Typical Plan Layout
 A02 Scale: 1/8" = 1'-0"

Numbered Notes:

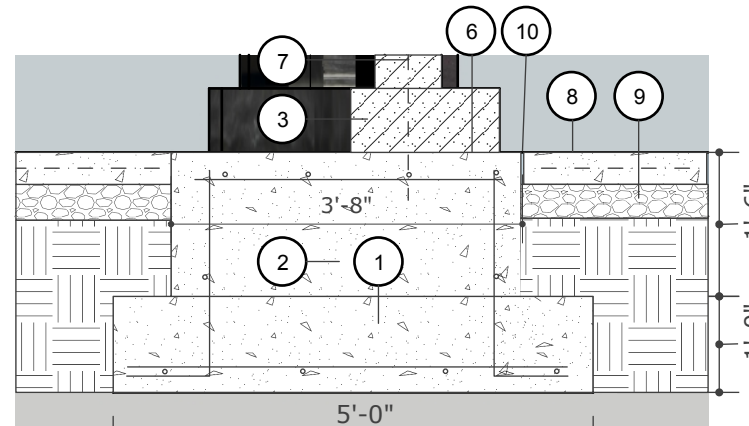
1. 12" Thick footing, 4000# concrete. #4 bars @ 10" oc long direction, #4 bars at 16" oc short direction. #4 bent bars @ 32" oc.
2. 18" tall stem wall - 2'-6" wide. 2 rows of #4 bar long direction. 1 row #4 bars @ 16" oc in short direction. Top of radius stem wall must be completely flat to allow monuments to sit plumb.
3. Monument base to be placed by others. See Sheet 3.
4. 4" Concrete slab with light broom finish, tool joints as shown. Slope to drain. 4" min. stone base.
5. Arrangement of concrete gathering area may vary from site to site. Confirm configuration with owner. Provide similar concrete access to available sidewalk.



1 Monument Foundation Elevations
 A 04 Scale: 3/8" = 1' - 0"

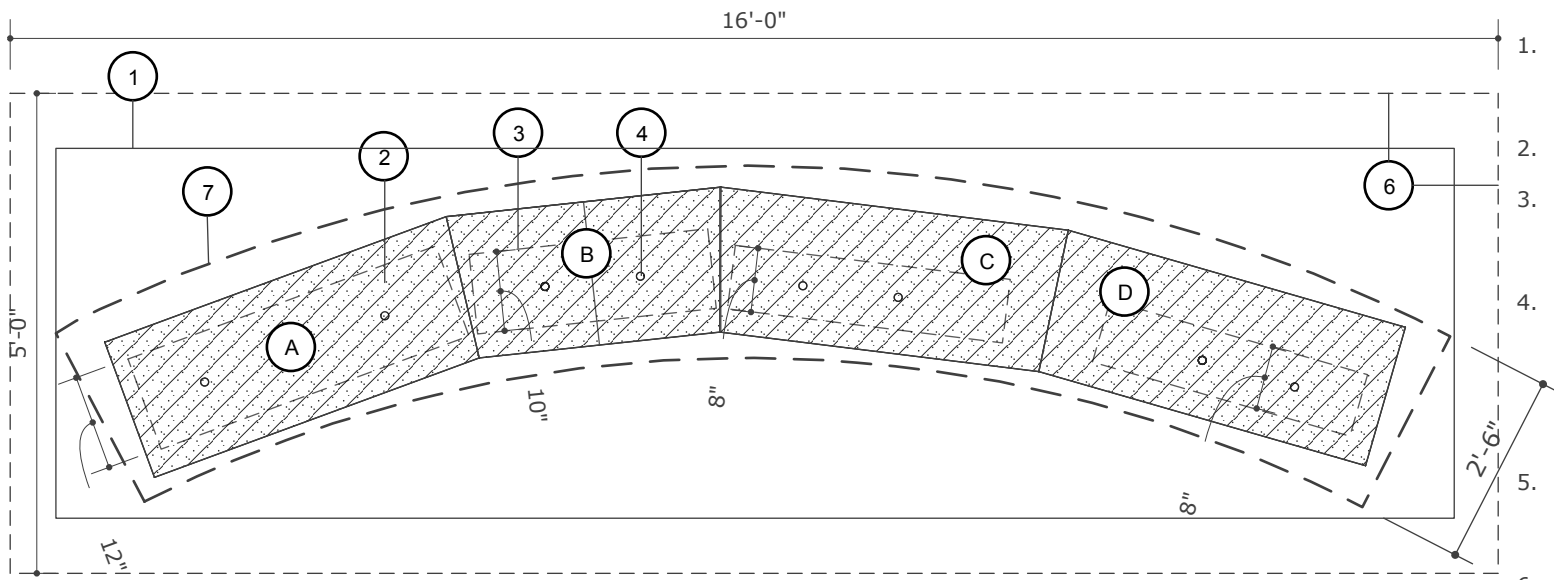


2 alt Foundation Section (Optional Radius)
 A 04 Scale: 1/2" = 1'-0"



2 Foundation Section (Typ Rectangular)
 A 04 Scale: 1/2" = 1'-0"

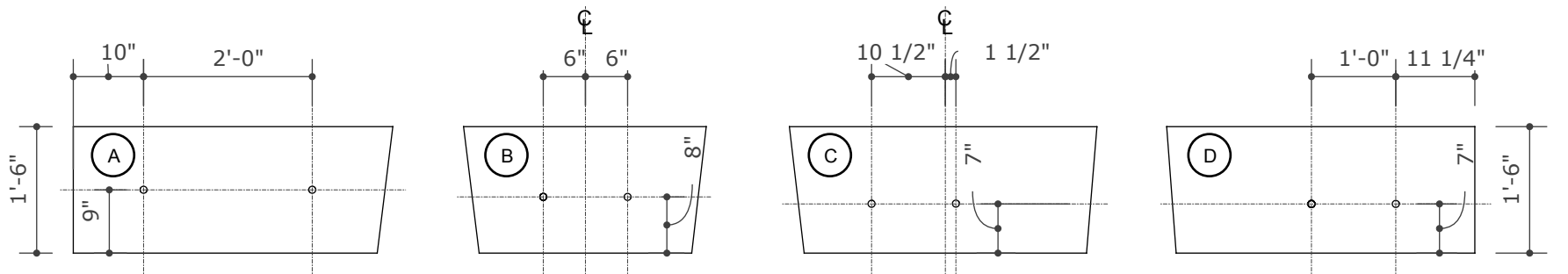
- Numbered Notes:**
1. 12" Thick footing, 4000# concrete. #4 bars @ 9" oc both directions. Minimum 3" cover. #4 bent bars @ 18" oc.
 2. 18" tall stem wall - 2'-6" wide. 4 rows of #4 bar long direction equally spaced (3 rows in alt foundation detail 2 alt A04). #4 bars @ 12" oc in short direction.
 3. 8" Tall monument base (by others)
 4. Laser etched monuments, images will vary from site to site (by others)
 5. Grade line.
 6. Top of stem wall must be completely flat to allow monuments to sit plumb.
 7. Anchor Bar drilled into existing foundation and installed by Monument Company.
 8. 4" Concrete slab with light broom finish, tool joints as shown. Slope to drain.
 9. 4" min. stone base.
 10. 1/2" exp jt with sealant at joints.



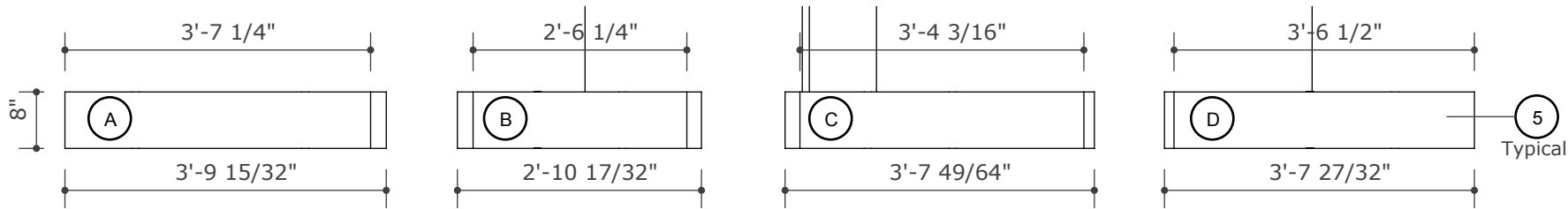
Numbered Notes:

1. Top of stem wall below. (Standard Rectangle.) Must be perfectly level to place monument.
2. Shaded areas are monument bases.
3. Short dashed are location of vertical monuments to be placed on top of monument bases.
4. Holes in monument bases and vertical monuments are by monument stone provider. Monument stone installer will drill and epoxy vertical dowels after these bases are field located.
5. Exposed edges of monument bases are rough cut, concealed faces and tops are polished smooth.
6. Footing below. See Sheet 2.
7. Outline of Alternate Radius Foundation.

1 Monument Base Placement Plan
 A05 Scale: 1/2" = 1'-0"



2 Monument Base Plans
 A 05 Scale: 1/2" = 1'-0"



3 Monument Base Elevations
 A 05 Scale: 1/2" = 1'-0"

