

NOTES:

1. ORIENTATION LOCATIONS (FROM EDGE OF WALKWAY OR FACE OF CURB):
 - HANDHOLE ACCESS DOOR SHALL BE MOUNTED AT 90°
 - RECEPTACLE SHALL BE MOUNTED AT 180°, SEE STD, CC-ILL-9.
 - METAL BANNER SUPPORT SHALL BE MOUNTED AT 0° ON STREET LUMINAIRE POLE, CUSTOM METAL U-CHANNEL

2. NEW AND EXISTING UTILITIES MUST BE SHOWN ON DEVELOPMENT PLANS WITH APPROPRIATE CLEARANCES. ANY FIELD ADJUSTMENTS MUST BE APPROVED BY RESPECTIVE UTILITY OWNERS.
3. FOR ADDITIONAL INSTALLATION DETAILS REFER TO LYNNWOOD STANDARD PLANS TR-ILL-1 AND TR-ILL-2.
4. ELECTRIC SERVICE, METER, AND CONDUCTORS PER APPROVED PLANS.

LUMINAIRE:

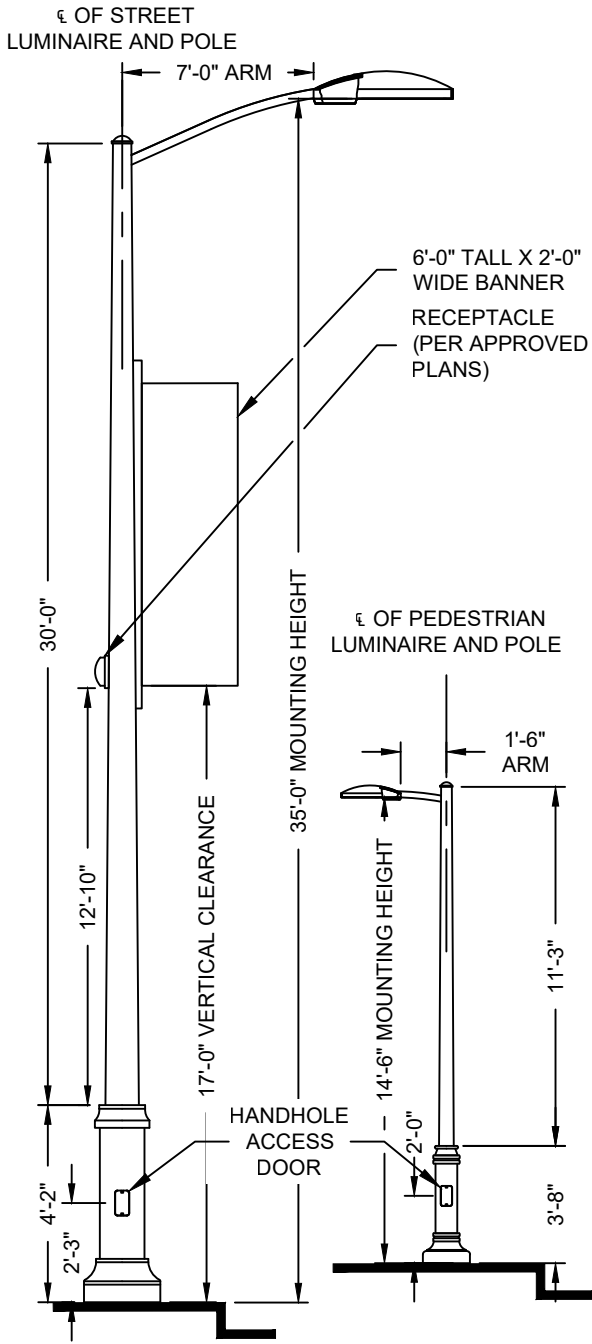
1. ALUMINUM HOUSING WITH QUICK INSTALLATION SYSTEM (QIS)
2. LED 4000K LAMP (NEUTRAL WHITE)
3. FLAT LENS

STREET LIGHTING:

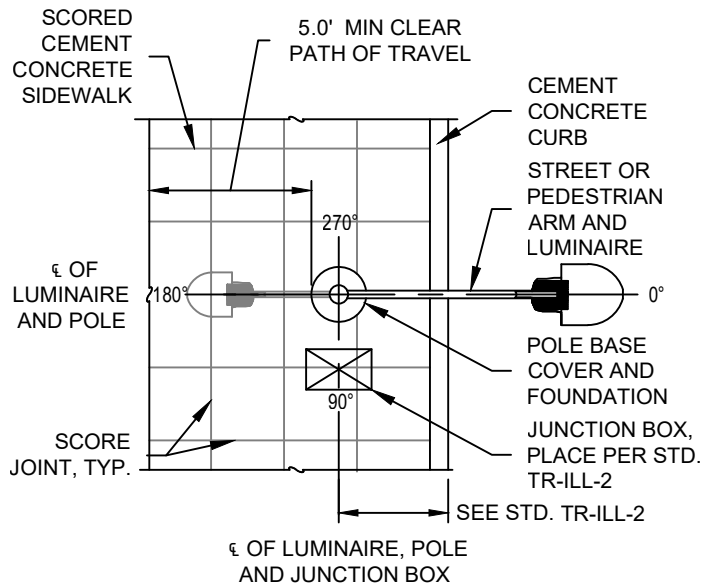
1. LUMINAIRE MANUFACTURER: KIM LIGHTING WARP9 - LED, LARGE, OR APPROVED EQUAL.
2. POLE: 8.5" DIA., 0.014"/FT TAPERED ALUMINUM, METALLIC POLYESTER POWDER COAT, GRAPHITE GRAY (COLOR CODE RAL 7024).
3. BASE COVER: CYCLONE - BD56 METALLIC POLYESTER POWDER COAT, GRAPHITE GRAY (COLOR CODE RAL 7024).
4. ARM: 7'-0" LENGTH, FINISH CLEAR ANODIZED ALUMINUM.
5. CUSTOM BANNER SUPPORT AND ATTACHMENTS PER MANUFACTURER.

PEDESTRIAN LIGHTING:

1. LUMINAIRE MANUFACTURER: KIM LIGHTING WARP9 - LED, SMALL, OR APPROVED EQUAL.
2. POLE: 5.5" DIA., 0.014"/FT TAPERED ALUMINUM, METALLIC POLYESTER POWDER COAT, GRAPHITE GRAY (COLOR CODE RAL 7024).
3. BASE COVER: CYCLONE - BD55 METALLIC POLYESTER POWDER COAT, GRAPHITE GRAY (COLOR CODE RAL 7024).
4. ARM: 1'-6" LENGTH, FINISH CLEAR ANODIZED ALUMINUM.



**STREETSCAPE TYPE 1:
44TH AVE W AND 196TH ST SW**



PLAN



**CITY CENTER
STREETSCAPE TYPE 1: STREET &
PEDESTRIAN LUMINAIRE & POLE**

CC-ILL-5-City-Center-Street-1-Street-&Pedestrian-Luminaire-&Pole.dwg

DRAWING NUMBER	CC-ILL-5
SCALE	NONE
REVISION DATE	03/22
DEPARTMENT	PW