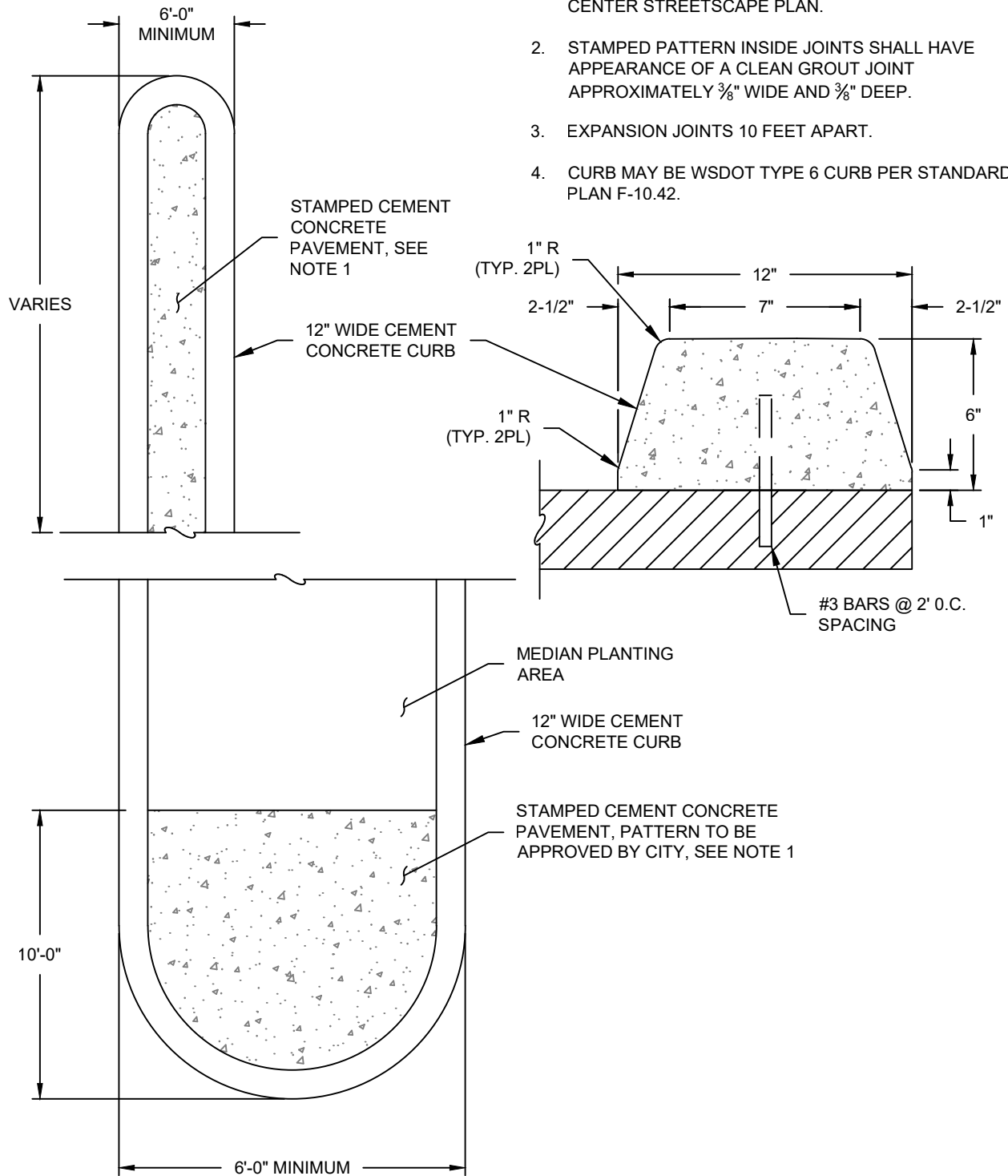


NOTES:

1. STAMPED CEMENT CONCRETE PAVEMENT PATTERN AND COLOR SHALL BE PER GUIDELINES IN CITY CENTER STREETScape PLAN.
2. STAMPED PATTERN INSIDE JOINTS SHALL HAVE APPEARANCE OF A CLEAN GROUT JOINT APPROXIMATELY $\frac{3}{8}$ " WIDE AND $\frac{3}{8}$ " DEEP.
3. EXPANSION JOINTS 10 FEET APART.
4. CURB MAY BE WSDOT TYPE 6 CURB PER STANDARD PLAN F-10.42.



DRAWING NUMBER	CC-ROA-3
SCALE	NONE
REVISION DATE	03/22
DEPARTMENT	PW