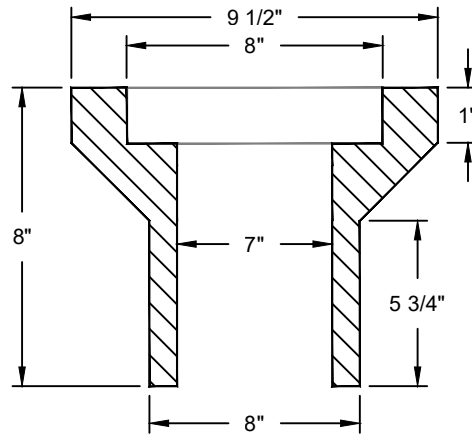
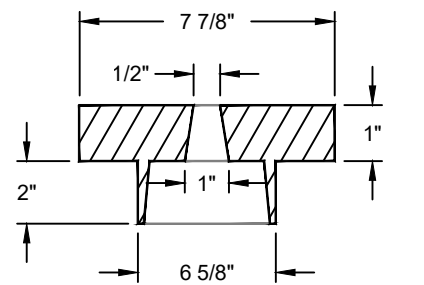


PLAN



SECTION

NOTES:

1. THE OFF-STREET MONUMENT SHALL BE IDENTICAL EXCEPT USING A NO. 8 REBAR AND WITHOUT A CASE AND COVER.
2. THE OFF-STREET MONUMENT SHALL BE 3" ABOVE GRADE.
3. MONUMENT CASE AND COVER SHALL BE CAST IRON.
4. BRASS DISC SHALL BEAR LAND SURVEYOR'S REGISTRATION NUMBER.



SURVEY MONUMENT

ST-ROA-6-Survey-Monument.dwg

DRAWING NUMBER	ST-ROA-6
SCALE	NONE
REVISION DATE	10/21
DEPARTMENT	PW