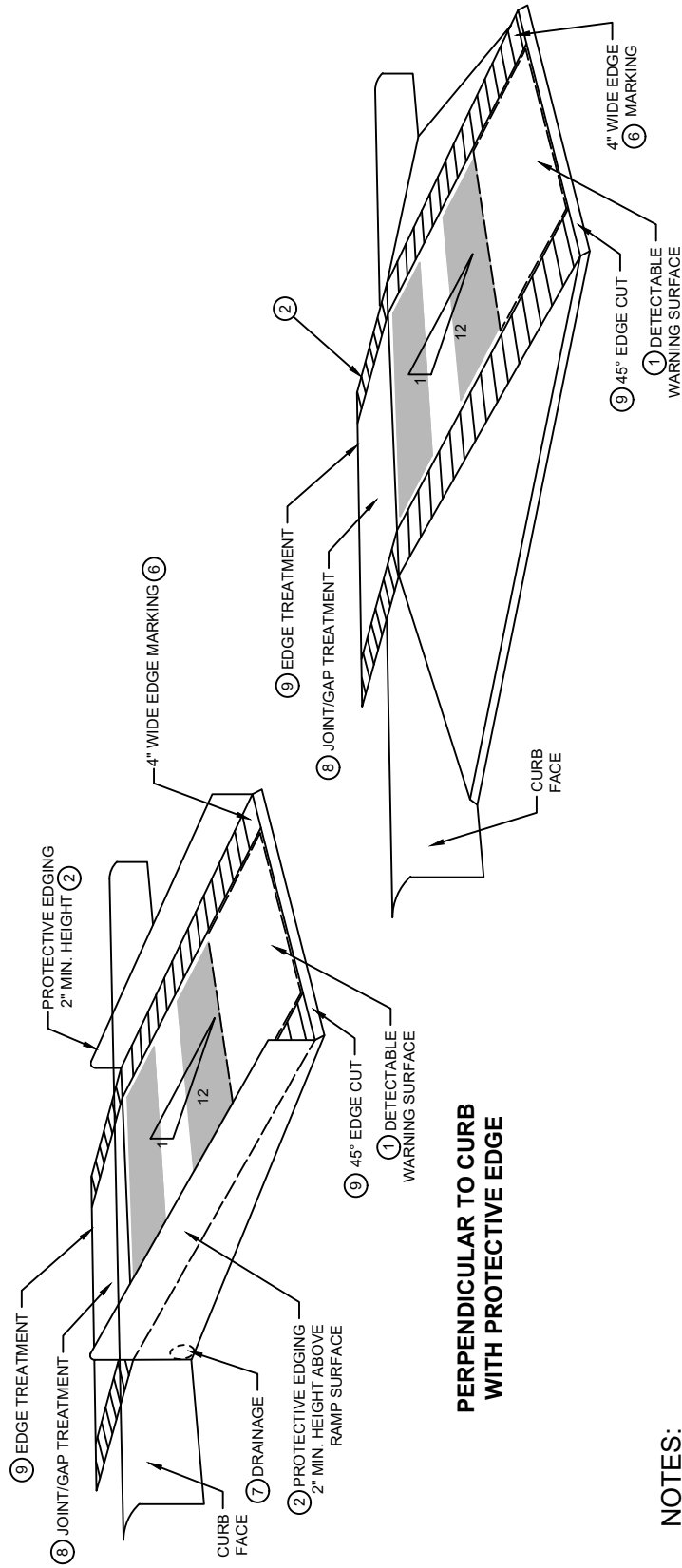


TEMPORARY CURB RAMP PARALLEL TO CURB



PERPENDICULAR TO CURB WITH PROTECTIVE EDGE

PERPENDICULAR TO CURB WITH SIDE APRON

NOTES:

1. SEE STD. TR-TC-24 FOR ALL NUMBERED CALLOUTS.

DRAWING NUMBER	TR-TC-25
SCALE	NONE
REVISION DATE	04/22
DEPARTMENT	PW