

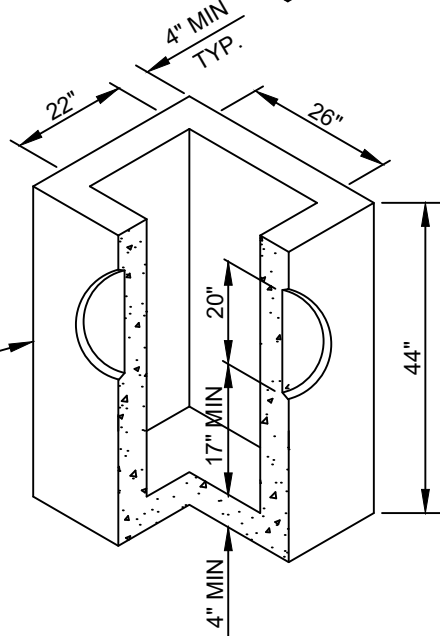
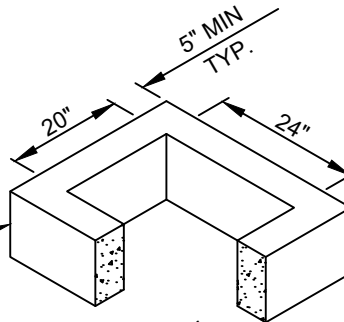
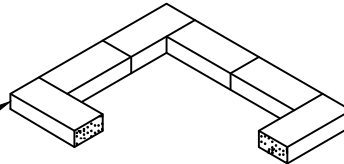
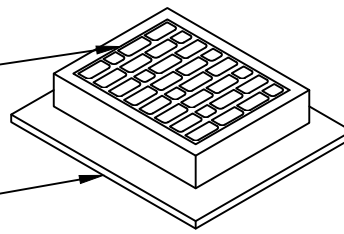
SOLID LID OR VANED GRATE PER  
STD. U-STO-6

FRAME PER STD. U-STO-5  
OR OPEN CURB FRAME AND GRATE  
PER STD. U-STO-9

2"x4"x8" SOLID BRICK AND GROUT USED  
FOR FINAL ADJUSTMENT TO GRADE. 2"  
HIGH MAX

2", 4", 6", 12" OR 24" CONCRETE RISER  
SECTION CLASS 4000 CONCRETE

PRECAST CONCRETE BASE SECTION WITH  
MAX OF ONE 20"Ø KNOCKOUT PER SIDE,  
ENTRANCE ANGLE TO BE LIMITED BY  
KNOCKOUTS. CLASS 4000 CONCRETE. PIPE  
OUTER DIA PLUS CB WALL THICKNESS SHALL  
NOT EXCEED 20".



**NOTES:**

1. CATCH BASIN TO CONFORM TO WSDOT STANDARD PLAN B-5.20-03.
2. MAXIMUM DEPTH FROM FINISH GRADE TO PIPE INVERT SHALL BE 5 FEET.
3. DEPTHS OVER 5 FEET USE CATCH BASIN TYPE 2, SEE STD. U-STO-3.
4. PIPES SHALL NOT PENETRATE MORE THAN 3" BEYOND WALL, AND PENETRATION SHALL BE MUDDED INTO A SMOOTH, ROUNDED CONDITION.



**CATCH BASIN TYPE I**

U-STO-1-Catch-Basin-Type-I.dwg

DRAWING NUMBER	U-STO-1
SCALE	NONE
REVISION DATE	02/22
DEPARTMENT	PW