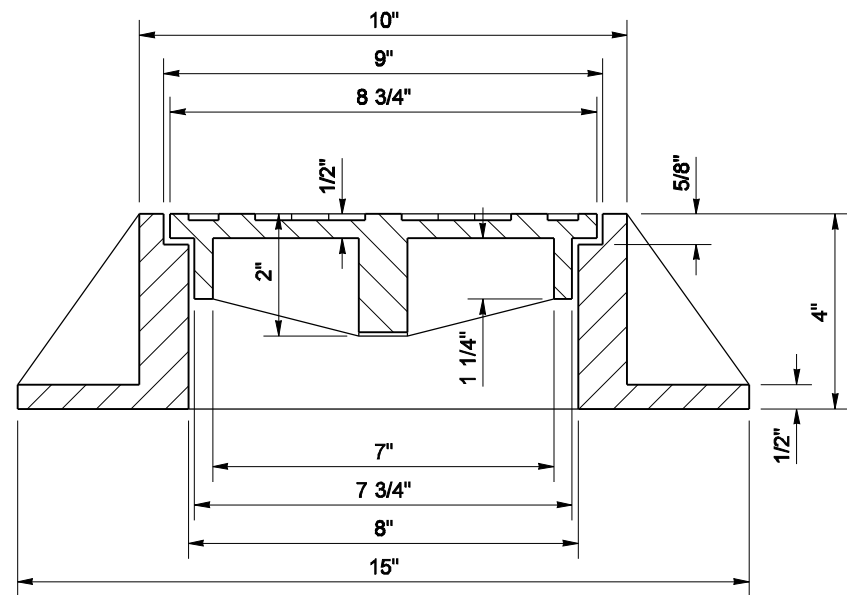
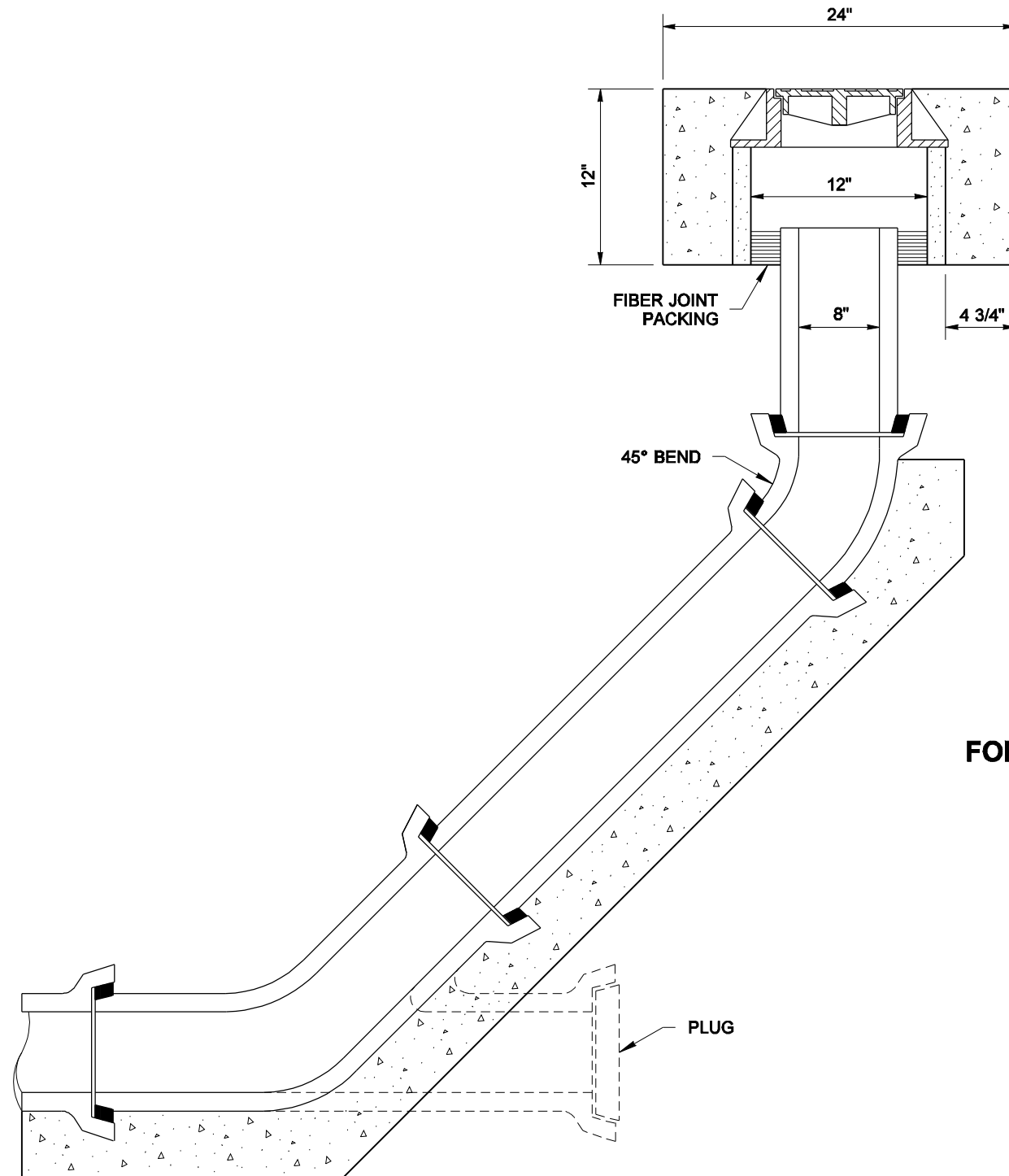


PLAN



SECTION A

CAST IRON RING AND COVER



FOR SANITARY SEWER USE



NOTE: THIS PLAN IS NOT A LEGAL ENGINEERING DOCUMENT UNLESS IT IS SIGNED BY THE ENGINEER AND APPROVED FOR PUBLICATION. IT IS KEPT ON FILE AT THE WASHINGTON STATE DEPARTMENT OF TRANSPORTATION. A COPY MAY BE OBTAINED UPON REQUEST.

8 INCH SEWER CLEAN-OUT
STANDARD PLAN B-85.40-00

SHEET 1 OF 1 SHEET

APPROVED FOR PUBLICATION

Harold J. Peterfeso 06-08-06

STATE DESIGN ENGINEER

DATE



Washington State Department of Transportation