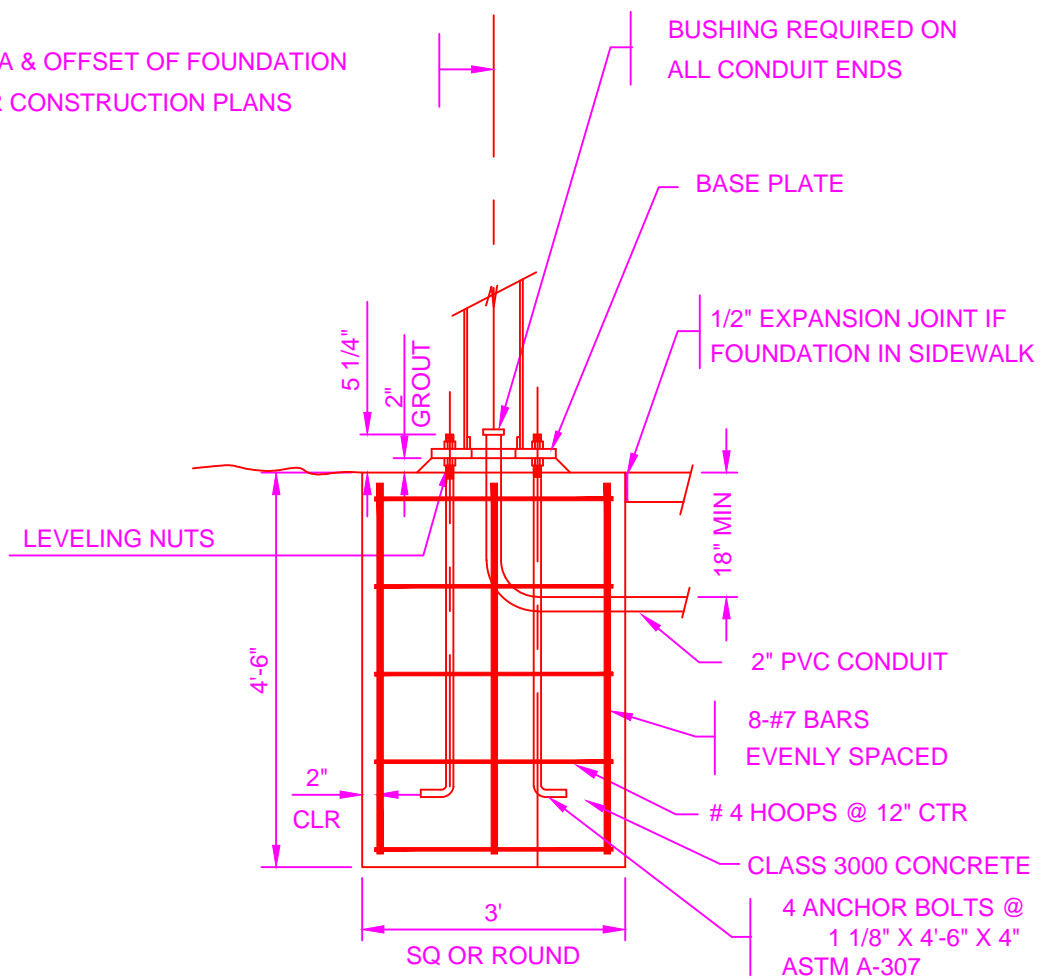
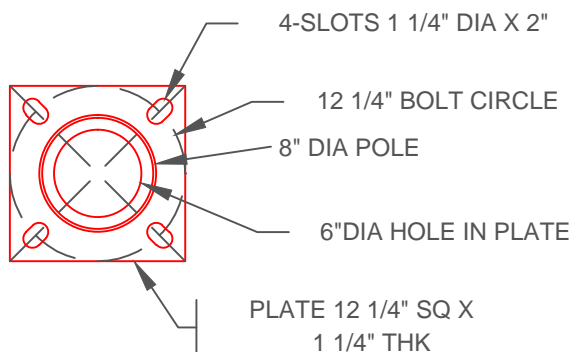


STA & OFFSET OF FOUNDATION  
PER CONSTRUCTION PLANS



**FOUNDATION SECTION**



**NOTES:**

1 THE TOP 12" OF ANCHOR BOLTS WILL BE GALVANIZED PER AASHTO M 111.

DRAWING NUMBER	STD8-8
SCALE	NONE
REVISION DATE	03/02
DEPARTMENT	PW