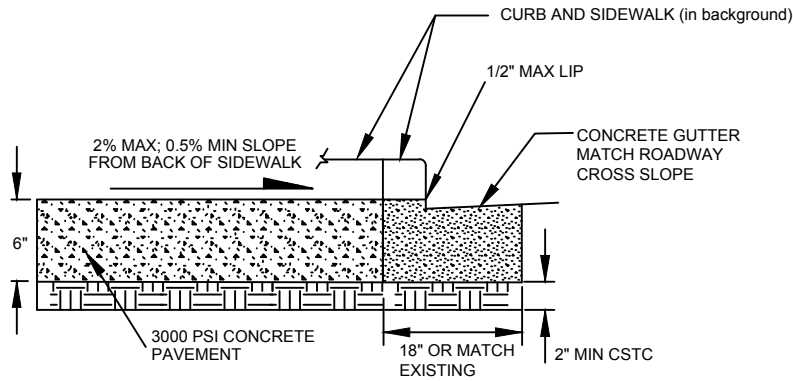


PLAN



SECTION A-A

NOTES

1. RAMP TEXTURING SHALL BE A BROOM FINISH PERPENDICULAR TO THE DIRECTION OF TRAVEL.
2. 20' WIDE MINIMUM DRIVING SURFACE REQUIRED FOR A PRIVATE ROAD. SEE DETAIL 3-3 FOR CROSS SECTION.
3. RAMP LENGTH VARIES (WITH A MINIMUM OF 6') AND SHALL BE CALCULATED BASED ON A RAMP SLOPE (PARALLEL TO THE CURB) WHICH DOES NOT EXCEED 8.3%. THE CURB RAMP MAXIMUM RUNNING SLOPE SHALL NOT REQUIRE THE RAMP LENGTH TO EXCEED 15 FEET TO AVOID CHASING THE SLOPE INDEFINITELY WHEN CONNECTING TO STEEP GRADES. WHEN APPLYING THE 15 FOOT MAXIMUM LENGTH, THE RUNNING SLOPE OF THE CURB RAMP SHALL BE AS FLAT AS FEASIBLE.
4. EJ = FULL DEPTH EXPANSION JOINT; 10' MAXIMUM SPACING BETWEEN JOINTS

DRAWING NUMBER	STD3-12G
SCALE	NONE
REVISION DATE	06/17
DEPARTMENT	PW