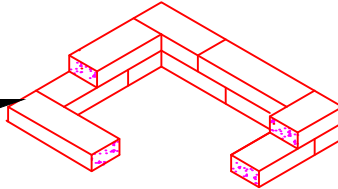
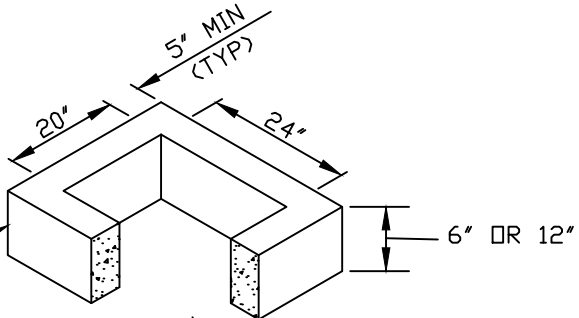


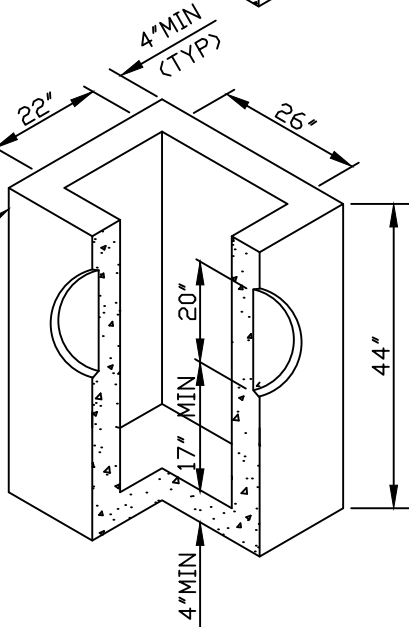
FRAME AND OPEN GRATE PER STD 4-5
 VANED GRATE PER STD 4-6
 SOLID COVER PER STD 4-7
 OPEN CURB FACE PER STD 4-11



2"x4"x8" SOLID BRICK
 USED FOR FINAL ADJUSTMENT
 TO GRADE. 6" HIGH MAX



2", 4", 6" OR 12" CONCRETE
 RISER SECTION
 CLASS 4000 CONC



PRECAST CONC BASE SECTION
 W/MAX OF ONE 20"Ø KNOCKOUT
 PER SIDE, ENTRANCE ANGLE
 TO BE LIMITED BY KNOCKOUTS
 CLASS 4000 CONC
 PIPE OUTER DIA PLUS CB
 WALL THICKNESS SHALL
 NOT EXCEED 20".

CATCH BASIN TO CONFORM TO WSDOT STANDARD PLAN B-1

NOTES:

- MAXIMUM DEPTH FROM FINISH GRADE TO PIPE INVERT SHALL BE 5 FEET. DEPTHS OVER 5 FEET SEE DETAIL #4-4
- PIPES SHALL NOT PENETRATE MORE THAN 3" BEYOND WALL, AND PENETRATION SHALL BE MUDDERED INTO A SMOOTH ROUNDED CONDITION.



CATCH BASIN TYPE I

DRAWING NUMBER	STD4-2
SCALE	NONE
REVISION DATE	08/03
DEPARTMENT	PW