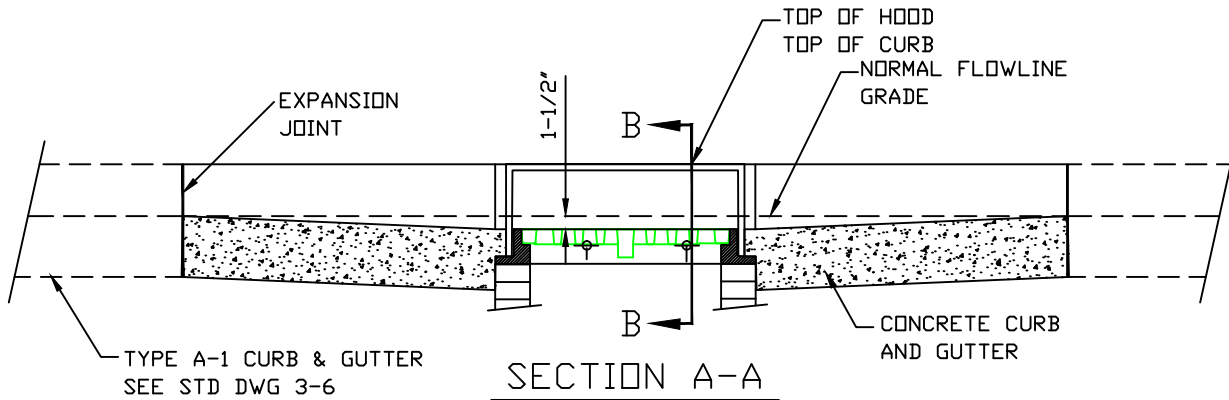
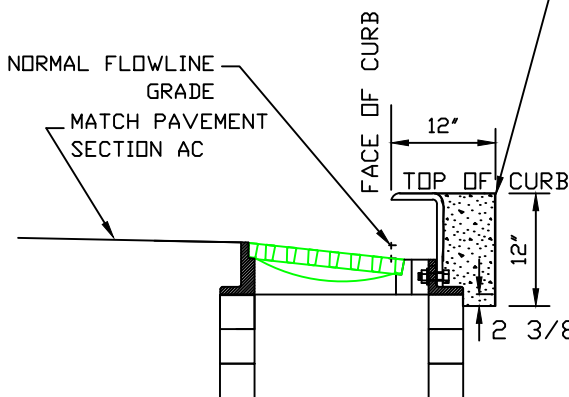


TOP VIEW



SECTION A-A

CURB WIDENING REQUIRED ONLY  
IN AREAS WITH PLANTER BEHIND CURB



SECTION B-B

NOTES:

1. INSTALLATION OF OPEN CURB FACE FRAME AND GRATE MUST BE APPROVED BY CITY ENGINEER ON A CASE BY CASE BASIS.  
PROBLEMS OF FLOATABLE MATERIAL ENTERING STORM DRAINAGE SYSTEM BY USE OF THIS INSTALLATION MUST BE ADDRESSED.
2. SEE STD DWG 4-11 FOR FRAME AND LOCKABLE GRATE DETAILS

DRAWING NUMBER	STD4-10
SCALE	NONE
REVISION DATE	02/04
DEPARTMENT	PW