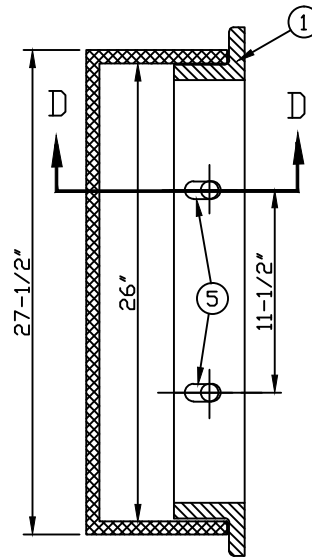
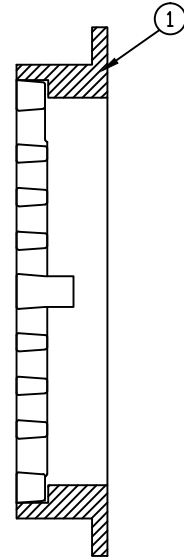


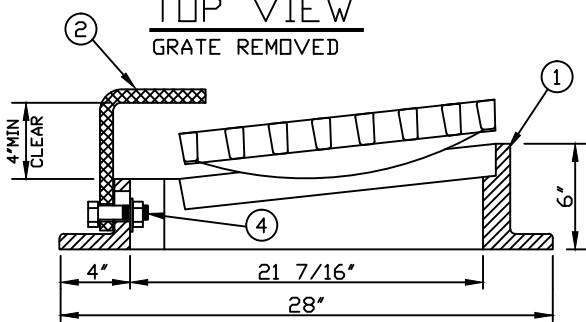
TOP VIEW
GRATE REMOVED



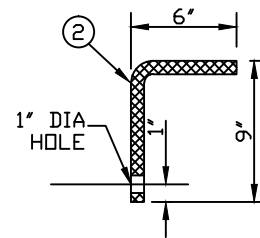
SECTION B-B



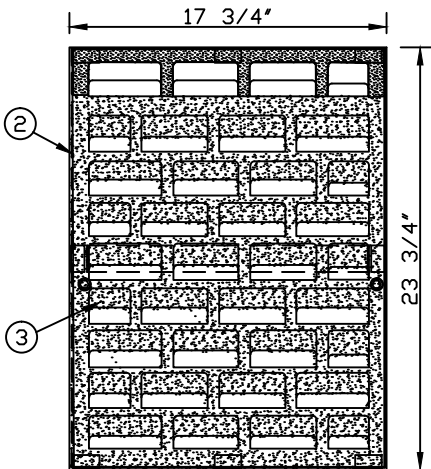
SECTION C-C



SECTION A-A
GRATE RAISED



SECTION D-D



GRATE TOP VIEW

NOTES:

- ① FRAME MATERIAL SHALL BE CAST IRON ASTM A48, CLASS 35, WITH A BITUMINOUS COATING.
- ② GRATE AND COVER MATERIAL SHALL BE DUCTILE IRON ASTM A536, GRADE 80-55-06 WITH BITUMINOUS COATING. FRAME GRAY IRON ASTM A48 CL35. LOAD RATING HEAVY DUTY.
- ③ FRAME AND GRATE TO BE EAST JORDAN PRODUCT #00770112, 00770178 & 00770168 OR EQUAL
- ④ GRATE TO BE LOCKABLE. PROVIDE 3/4" BOLT, NUT AND WASHERS
- ⑤ ADJUSTMENT SLOT IN FRAME CASTING APPROXIMATELY 1"x2". VERTICAL PLACEMENT TO PROVIDE MIN CLEARANCE BETWEEN GRATE AND COVER PLATE.
- ⑥ SEE STANDARD DWG 4-10 FOR INSTALLATION DETAILS.



OPEN CURB FRAME AND GRATE
DETAILS

I:\Standard_Plans

DRAWING NUMBER	STD4-11
SCALE	NONE
REVISION DATE	02/04
DEPARTMENT	PW