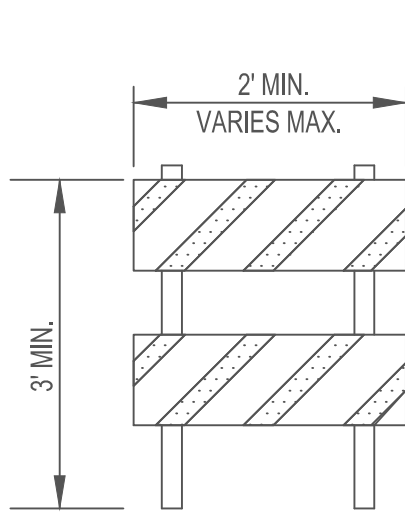
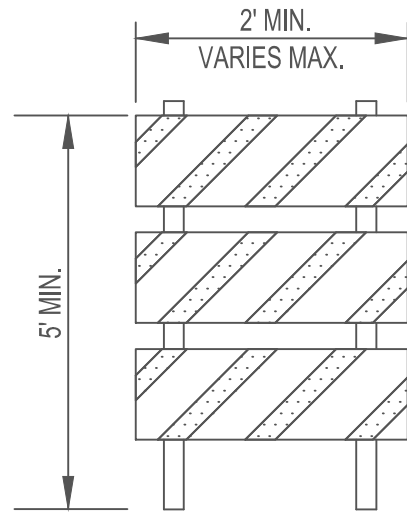


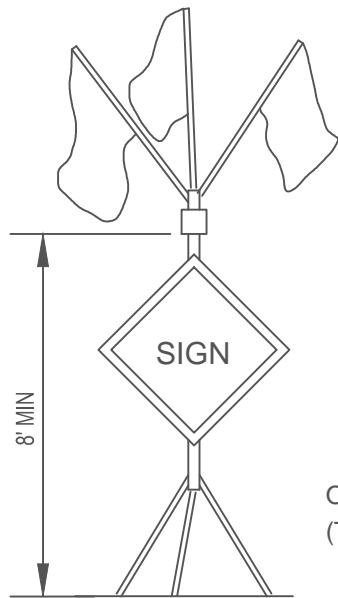
TYPE 1



TYPE 2

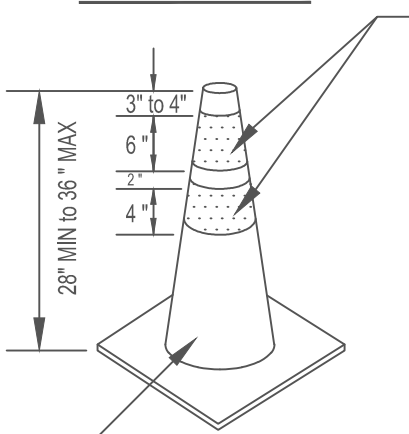


TYPE 3



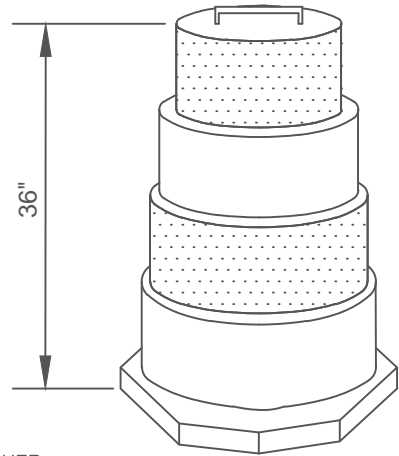
HIGH VISIBILITY WARNING

**BARRICADE**

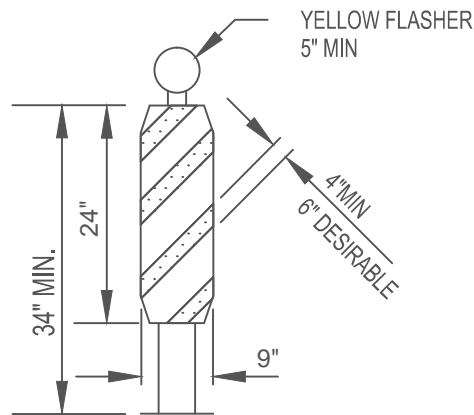


CONE

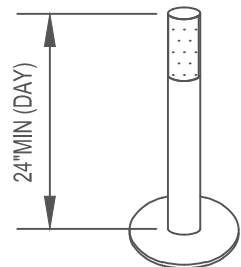
WHITE RETROREFLECTIVE BANDS (TYP)



CHANNELIZING DRUM



VERTICAL PANEL



GUIDE POST



TRAFFIC CONTROL DEVICES

DRAWING NUMBER	STD7-13
SCALE	NONE
REVISION DATE	08/11
DEPARTMENT	PW