



ITB #3174
DECANT BAY IMPROVEMENTS
ADDENDUM #2

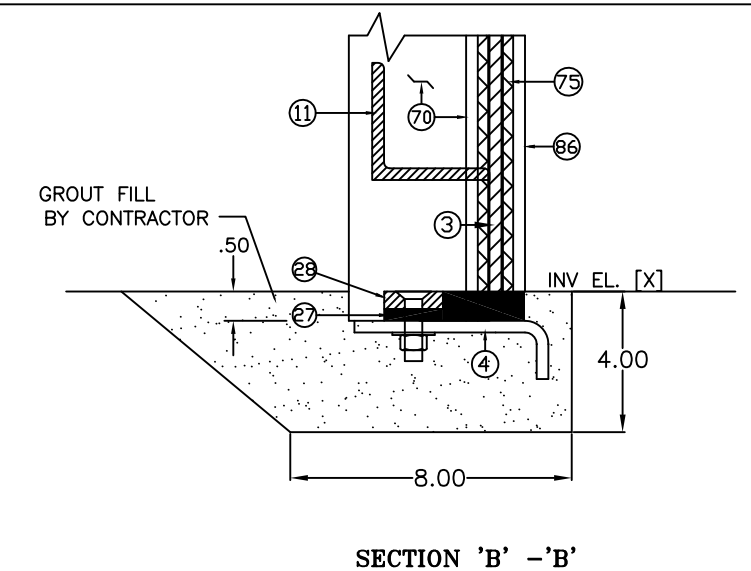
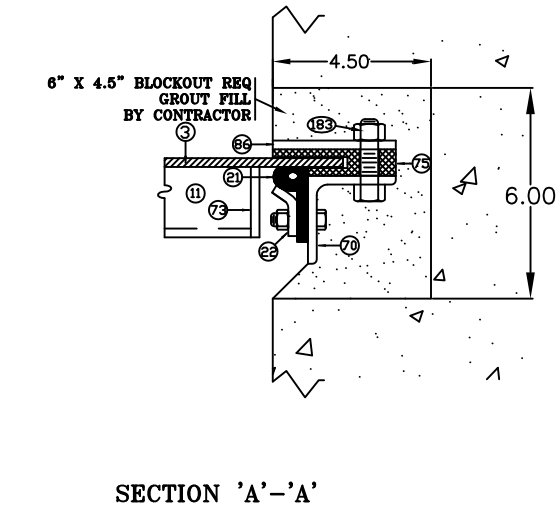
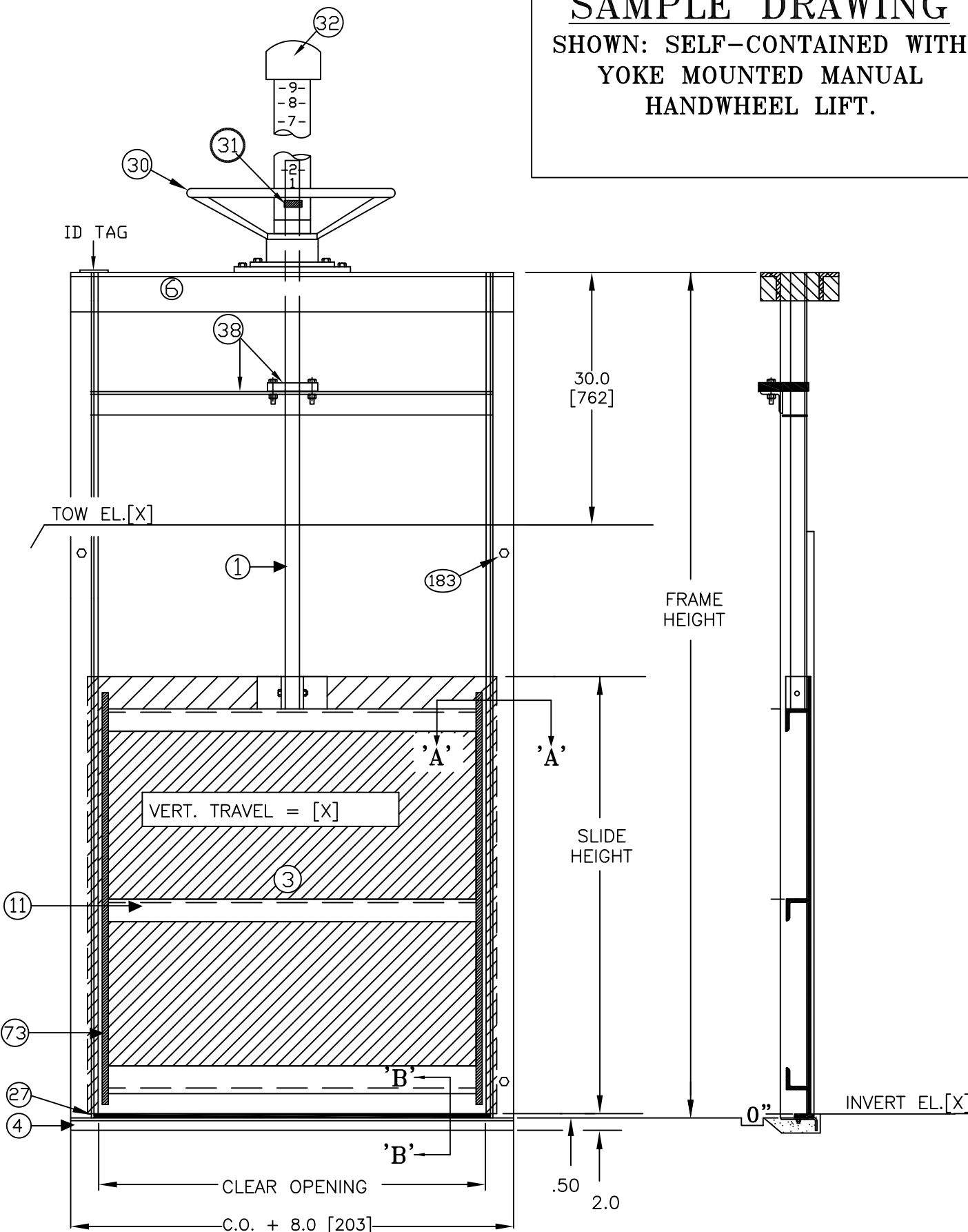
Addendum #2 dated October 29, 2019 is issued to:

1. The project calls for 4 Gates and lists a model number; although it doesn't ID a manufacturer. It references manufacturers specs for basic performance standards.

A. Attached are the manufacturing details of the gates. Golden Harvest is the *suggested* manufacturer.

All other terms and conditions remain unchanged.

**MODEL GH-44
SAMPLE DRAWING
SHOWN: SELF-CONTAINED WITH
YOKE MOUNTED MANUAL
HANDWHEEL LIFT.**



MD GH-44 STAINLESS STEEL SLIDE GATE MATERIAL LIST

1	STEM	SSTL, W/LH SINGLE ROLLED ACME THD, 16 MICRO IN. RMS OR LESS FINISH
3	GATE HEAD	SSTL PLATE
4	INVERT ANGLE	FORMED SSTL ANGLE
6	YOKE	FORMED SSTL ANGLE
11	STIFFENER	FORMED SSTL ANGLE
21	P-BULB SEAL	NEOPRENE RUBBER
22	P-SEAL RETAINER	SSTL FLAT BAR W/SLOTTED HOLES
27	INVERT SEAL	NEOPRENE RUBBER PART# 7666
28	INVERT RETAINER	SSTL FLAT BAR
30	OPERATOR	GH-1 NON GEARED W/24" HANDWHEEL, ALUMINUM HOUSING, ROLLER BRNG SUPPORTED BRONZE NUT, WITH GREASE ZERK, OPEN DIRECTION ARROW
31	STOP NUTS	BRONZE
32	STEM COVER	CLEAR BUTYRATE PLASTIC WITH MYLAR STRIP INDICATOR CALIBRATED IN 1/10" INCREMENTS WITH PVC END CAP
38	STEM GUIDE	SSTL ANGLE W/UHMW STEM GUIDE BUSHING
70	GUIDE RAIL	SSTL ANGLE
73	VERTICAL STIFFENER	SSTL FLAT BAR
75	GUIDE BEARING BAR	UHMW POLYETHYLENE
86	COVER BAR	SSTL FLAT BAR
183	CLAMP BOLTS	SSTL HEX HEAD BOLTS W/NUT & F/W, L/W

MATERIAL SPECIFICATIONS:
 HARDWARE & FASTENERS = SST ASTM-F593 / F594
 S-STL FORMED & PLATE = SST ASTM-A240
 S-STL HR & FLAT BAR SHAPES = SST ASTM-A276
 S-STL ROUND BAR = SST ASTM A-276
 S-STL STEM = SST ASTM-A276
 S-STL ANCHOR ROD = SST ASTM-A276
 S-STL PIPE = SST ASTM A-312
 UHMWPE = ASTM-D4020
 NEOPRENE RUBBER = ASTM-D2000
 BRONZE = ASTM-B584

GOLDEN HARVEST	
ORIGINAL	DW
CHECKED	
CHECKED	
TRANS. RET.	
SUB.	
CU. SKT.	
FINAL	
RELEASE	

Max Seating Head = - Ft. - Max Unseating Head = - Ft.	
Max Operating Head = - Ft. Measured From TOWW	
MD GH-44 EMBEDDED MTD SS SLIDE GATE	GOLDEN HARVEST GOLDEN GATES 1-800-338-6238 P.O. BOX 287 Burlington, WA 98233
Project Description:	- REQ.
For:	Date Drawn:
Contractor:	Revision:
Engineer:	Revision:
Drawn By: X DW X	G.H. Drawing #:
Scale: NTS	Job No.:
	Contract Sht #:

THIS DRAWING IS THE PROPERTY OF GOLDEN HARVEST, INC. THE DESIGN, DATA AND INFORMATION CONTAINED WITHIN IS NOT TO BE USED, DISSEMINATED, LOANED OR REPRODUCED IN WHOLE OR IN PART WITHOUT THE WRITTEN CONSENT OF GOLDEN HARVEST, INC.